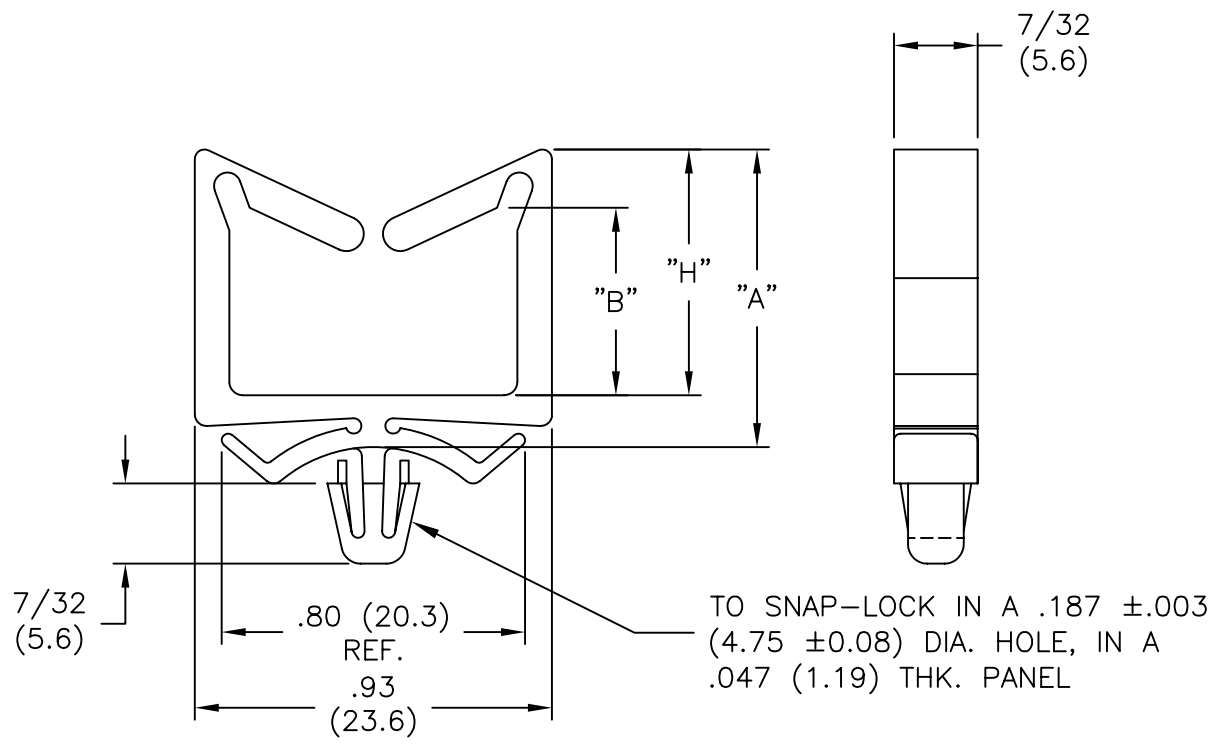


PART NO. NYLON	PART NO. FLAME RETARDANT NYLON	"A" REF	"B" REF	"H" REF
WWS-A-2-01	WWS-A-2-19	.77 (19.6)	.50 (12.7)	.64 (16.3)
WWS-A-3-01	WWS-A-3-19	1.12 (28.5)	.85 (21.6)	.99 (25.2)



NOTES:

1. MAT'L: NYLON 66 (RMS-01), NAT.  
 AVAILABLE IN FLAME RETARDANT NYLON  
 (RMS-19) BY SPECIAL ORDER

D SEE CO 200043 FOR CHANGES SK 10.01.07		TOLERANCES UNLESS NOTED .XX=±.010 .XXX=±.005 FRAC=±1/64 ANG=±1°	FILE # WWS	DWN: P.B.	APP:	DWG IN IN (MM)	FINAL	PART # SEE TABLE	PRINT TYPE CA
C SEE ECN #1022 SK 06.29.05			MAT'L: SEE NOTES	DT: 08-18-94	DT:				
B CHANGED FILE NO. AND TITLE BLOCK SM 05.30.01			RE: RICHCO, INC.	RICHCO INC. PO BOX 804238, CHICAGO, 60680 (773) 539-4060					
A ADDED HOLE DIA. & PANEL THICKNESS DD 5-8-96									
REV DESCRIPTION ENGR DATE									

TITLE: WIDE WIRE SADDLE